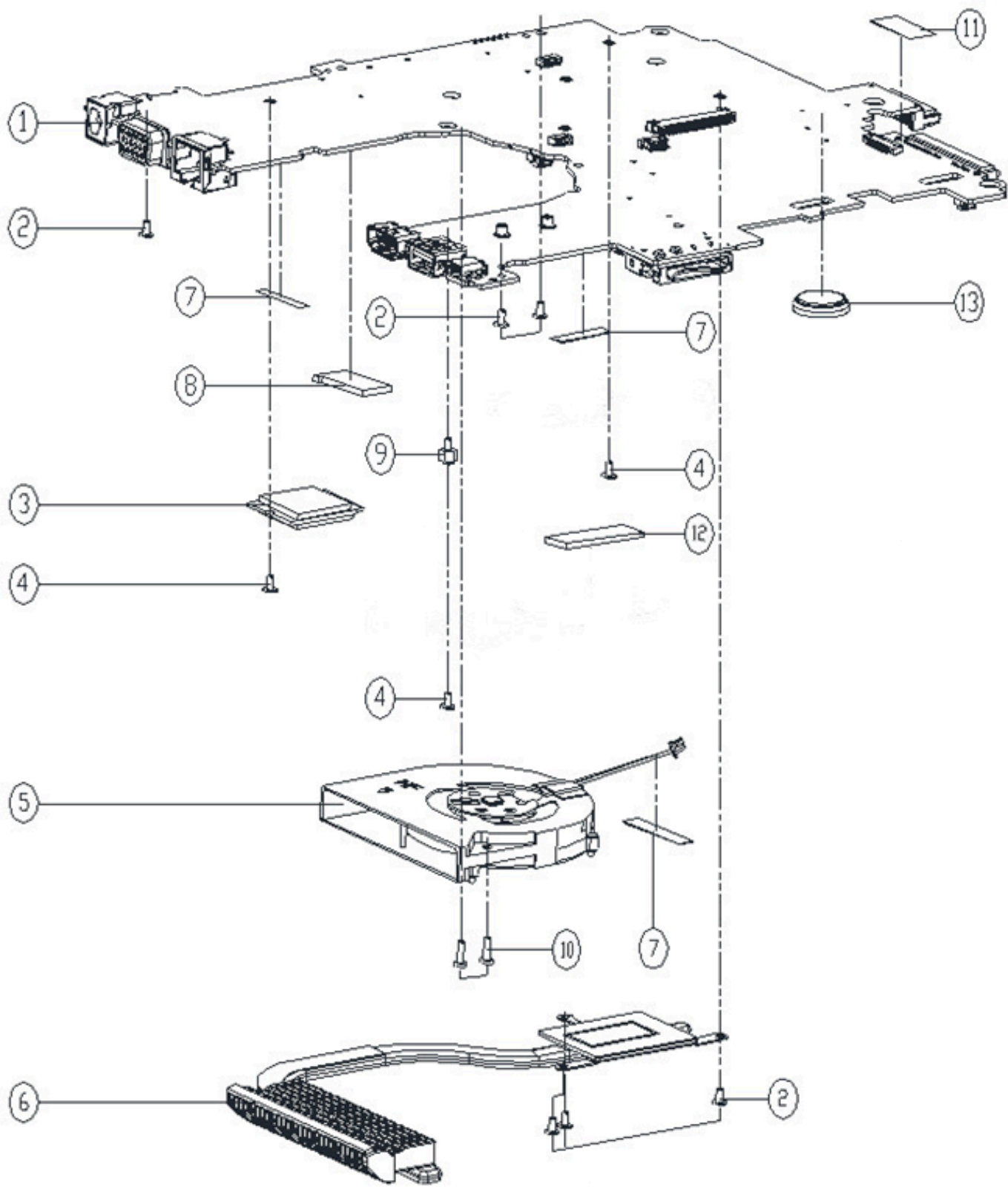
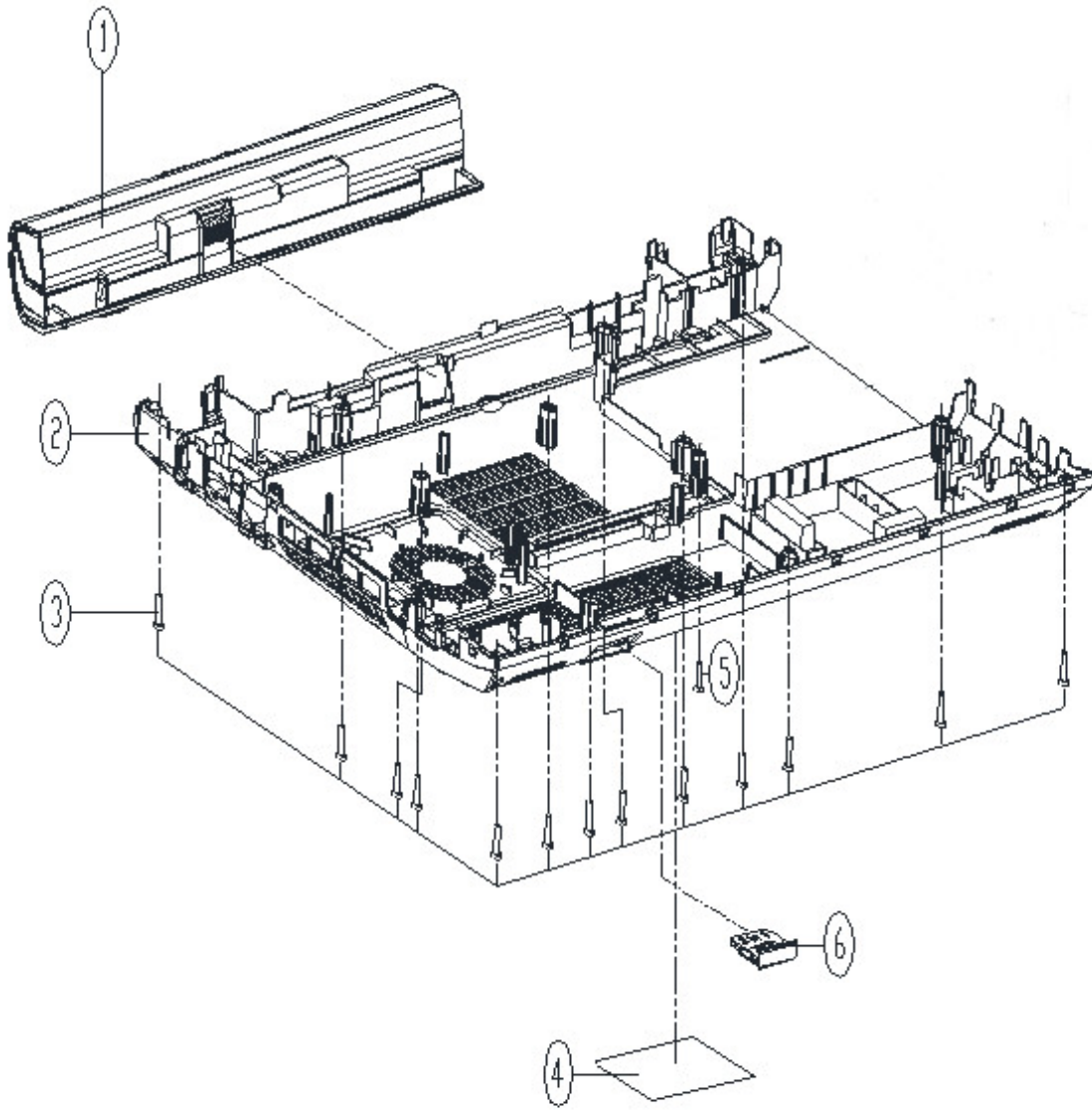


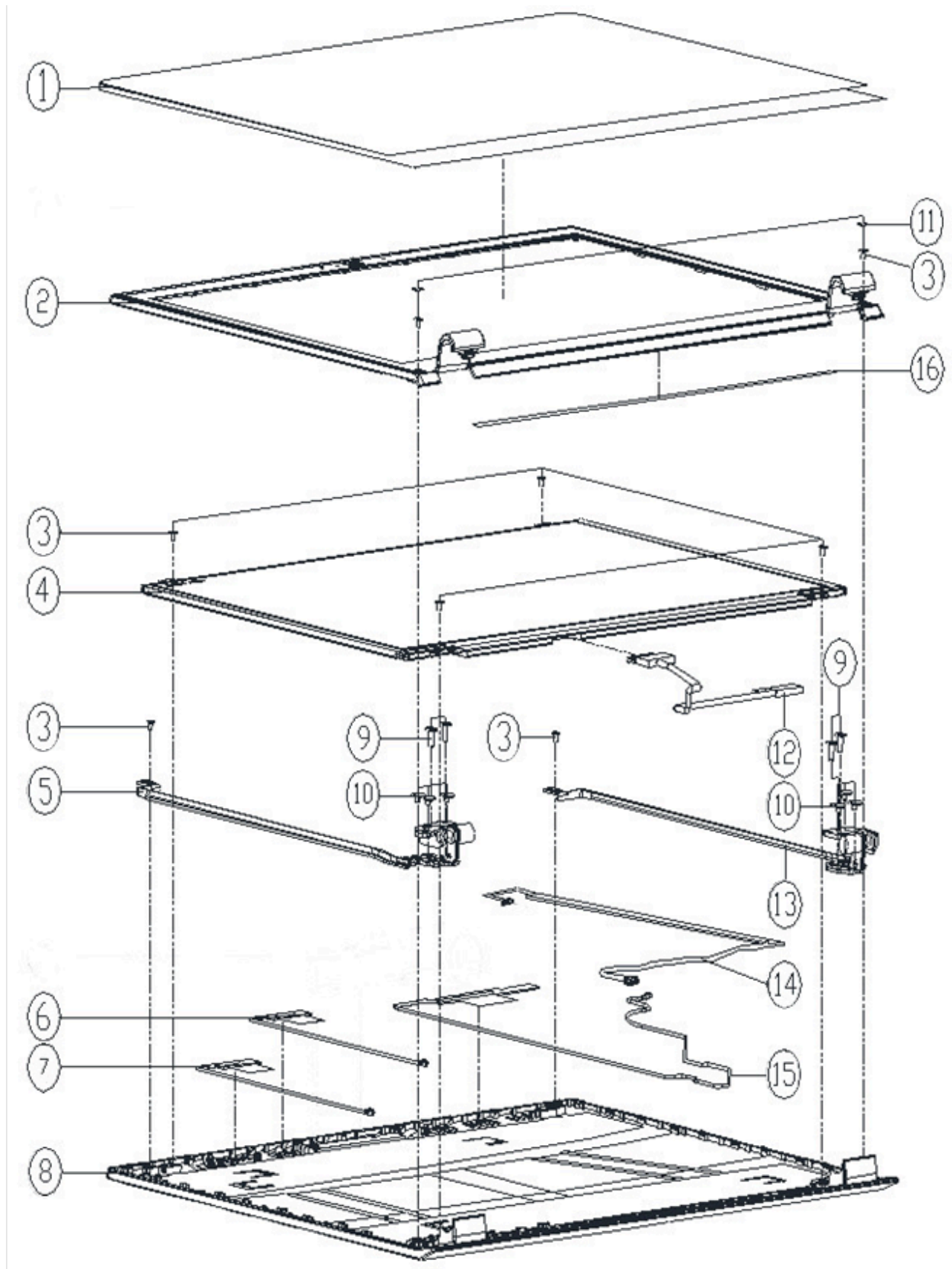
<b>ITEM</b>	<b>DESCRIPTION</b>
<b>1</b>	KEYBOARD CVM15F3600-430: SPANISH
<b>2</b>	SCREW M2.5*6L K BZ ICT NY
<b>3</b>	KEYBOARD BASE
<b>4</b>	TOP CASE
<b>5</b>	SPK+CABLE – L 23*44 1.5W 4Ω 35MM LT2514CKXP
<b>6</b>	TP TO MB FFC CABLE 3.3V 6P PITCH=0.5MM L=74MM
<b>7</b>	TOUCH PAD
<b>8</b>	TP MYLAR FOR ISOLATION (PET+RUBBER)
<b>9</b>	CLICK TO TP FFC CABLE 5V 4P PITCH=1.0MM L=45MM
<b>10</b>	CLICK BOARD
<b>11</b>	SCREW M2*3L KI BZ ICT NY (DD=Φ4.5,DT=0.4)
<b>12</b>	WIRE CABLE FOR HALL SENSOR TO MB 167MM 3V 3PIN
<b>13</b>	LID SWITCH BOARD
<b>14</b>	SPK+CABLE – R 23*44 1.5W 4Ω 175MM BOX251401-01
<b>15</b>	ANTENNA IPEX-4 3G+LTE WGT LTE-2 PCB 0.7G/
<b>16</b>	0.8G/0.9G/1.4G/1.8G/1.9G/2.1G/2.6GHZ L=250MM
<b>17</b>	AUDIO BOARD
<b>18</b>	AUDIO TO MB FFC CABLE 5V 22P PITCH=0.5MM L=164MM
<b>19</b>	TAPE MYLAR (C)



ITEM	DESCRIPTION
1	MAIN BOARD(CPU/I7-8550U/1.8G) V2.0A (EDP)(W/USB3.1)(W/O TPM,LTE)
2	SCREW M2*3L KI BZ ICT NY (DD=Φ4.5,DT=0.4)
3	COMBO DUAL BAND INTEL SANDY PEAK 3168.NGW 1X1 AC+BT BT4.2 M.2 2230 P650RS
4	SCREW M2*2L KI NI ICT NY (DD=Φ5 ,T=0.5)
5	CPU FAN MODULE (FORCECON)
6	CPU HEATSINK MODULE
7	TAPE MYLAR (C)
8	W/O 3G RUBBER(26.2*19.2)SILICON RUBBER
9	SCREW M2*2.5L (H=2.5 D=5) STEEL ICT NY FOR NGFF CARD
10	SCREW M2*5L KI(T=0.8 D=4.0) BK/Z ICT NY
11	TAPE MYLAR TRANSPARENT (20*10*0.05)
12	THERMAL PAD RS300 35*10*1.25MM
13	BATTERY 3V 220MA BBBCR2032B (KTS)

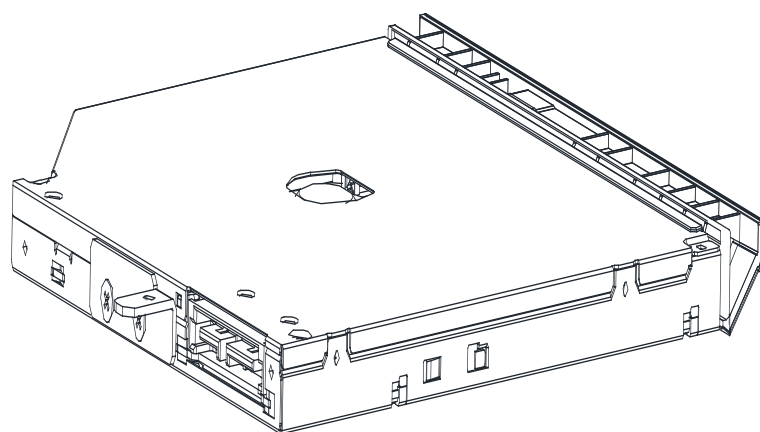
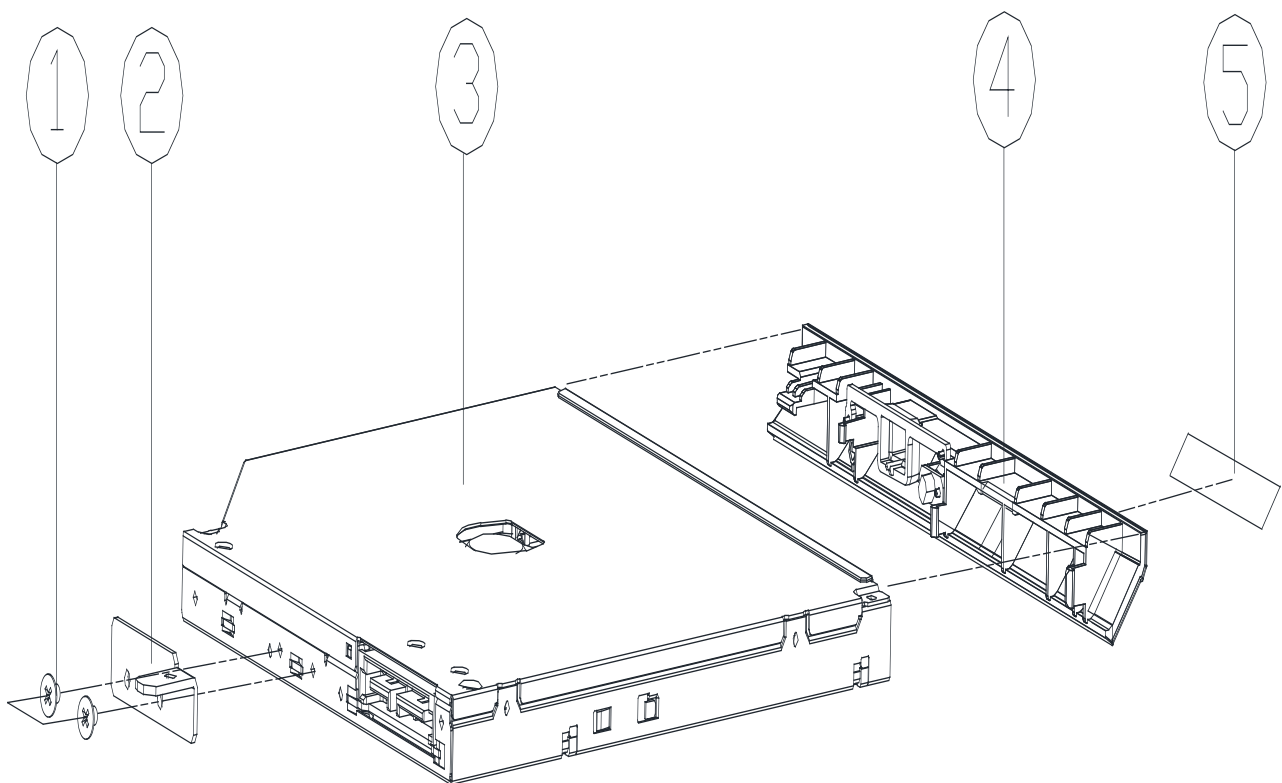


ITEM	DESCRIPTION
1	BAT.P S LI 14.8V/3.0AH/44WH 4S1P SMP/LGC (BQ30Z55) 980T2191F (TEXTURE) (RIB)
2	BOTTOM CASE MODULE
3	SCREW M2.5*6L K BZ ICT NY
4	PRODUCT LABEL FOR N750WU
5	SCREW M2*5L KI(T=0.8 D=4.0) BK/Z ICT NY
6	DUMMY 3IN1 NON PUSH TYPE PC+ABS
7	BAT.P S LI 14.8V/3.0AH/44WH 4S1P SMP/LGC (BQ30Z55) 980T2191F (TEXTURE) (RIB)

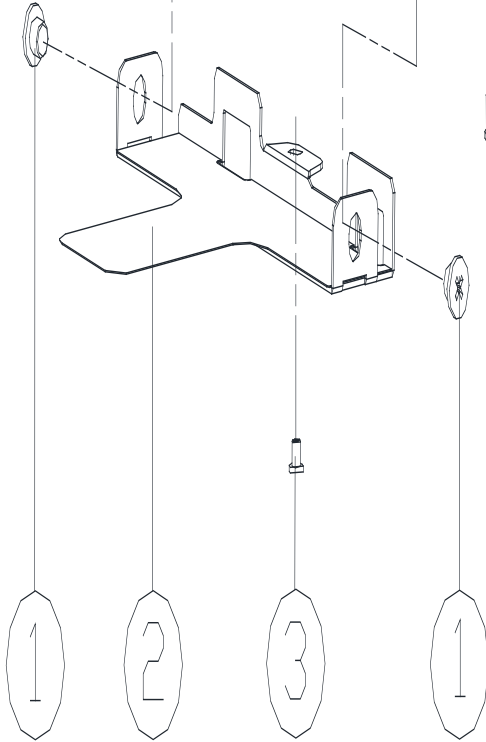
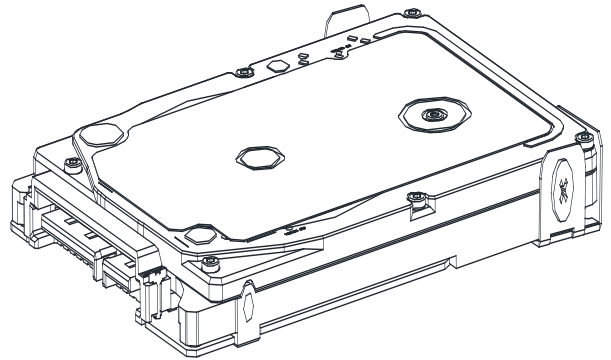
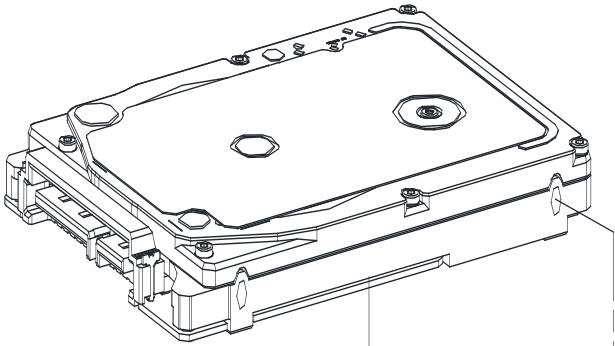


<b>ITEM</b>	<b>DESCRIPTION</b>
<b>1</b>	LCD PROTECT MYLAR BOPP
<b>2</b>	LCD FRONT COVER
<b>3</b>	SCREW M2*3L KI BZ ICT NY (DD=Φ4.5,DT=0.4)
<b>4</b>	LCD 15.6" FHD/ EDP/LED AU B156HTN03.8 (H/W:6B)
<b>5</b>	HINGE – L (SK7+SGCC) SNR
<b>6</b>	ANTENNA IPEX4 WLAN WGT WL2 PCB AL 2.4G/5GHZ WL2=400MM
<b>7</b>	ANTENNA IPEX4 WLAN WGT WL1 PCB AL 2.4G/5GHZ WL1=350MM
<b>8</b>	BACK COVER
<b>9</b>	SCREW M2.5*6L K BZ ICT NY
<b>10</b>	SCREW M2.5*2.5L KI BK/Z ICT NY(Φ8,T=0.6)
<b>11</b>	FRONT COVER SCREW MYLAR (PC+SM468)(5*5*0.35T)
<b>12</b>	WIRE CABLE FOR EDP 200MM (L) 19V 30PIN
<b>13</b>	HINGE – R (SK7+SGCC) SNR
<b>14</b>	WIRE CABLE FOR CCD D-MIC 500MM 3.3V 8P
<b>15</b>	ANTENNA IPEX4 LTE WGT LTE1 PCB MODIFY BL 0.7G/0.9G/1.5G/1.9G/2.1G/2.6GHZ LTE1=500MM
<b>16</b>	FRONT COVER GLUE U & D (NITTO 5000 330*3*0.15)





ITEM	DESCRIPTION
1	SCREW M2*3L KI BZ ICT NY (DD=Φ4.5,DT=0.4)
2	ODD BRACKET SECC
3	SATA DVD WRITER 5 1/4" 8X 9.5MM GUDON ROM VER 1.00 (WIN 10) HLDS
4	ODD BEZEL MODULE+SUPER MULTI ODD BEZEL LABEL (Include item : 5 )
5	SUPER MULTI ODD BEZEL LABEL



<b>ITEM</b>	<b>DESCRIPTION</b>
<b>1</b>	SCREW M3*2.5L KI NI ICT NY
<b>2</b>	HDD BKT 7MM SECC T=0.5
<b>3</b>	SCREW M2*3L KI BZ ICT NY (DD=Φ4.5,DT=0.4)